

APPLICATION

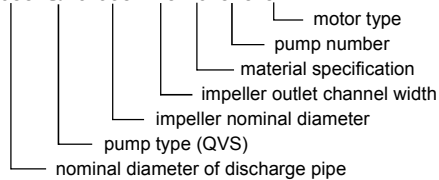
- primary and secondary water stations
- booster stations to increase the pressure in the water systems
- water supply systems in a wide range of industrial branches
- pumping, circulation and cooling circuits
- agriculture as pumping stations for large-area irrigation systems

WORKING CONDITIONS

- drinking or utility water
- medium temperature up to +60°C
- pH 6 - 11

TYPE IDENTIFICATION

500-QVS-630-120-LU-010-01



MATERIAL SPECIFICATION

Part name	LU
pump body - bottom end	EN-GJL-250
pump body - upper end	EN-GJL-250
bearing body	EN-GJS-500
impeller	X20Cr14 (DIN)
body seal ring	X20Cr14 (DIN)
impeller seal ring	X20Cr14 (DIN)
throttle bushing	X20Cr14 (DIN)
shaft sleeve	X20Cr14 (DIN)
packing bushing	X20Cr14 (DIN)
shaft	1.0503
base subframe	1.0570

SEAL DESIGN

- hydraulic area tightness on both ends achieved by means of shaft packing
 - non - flooded packing (for pure water)
 - flooded from foreign source (for polluted water)
- types of seals
 - soft cord packing
 - single mechanical seal, cartridge type

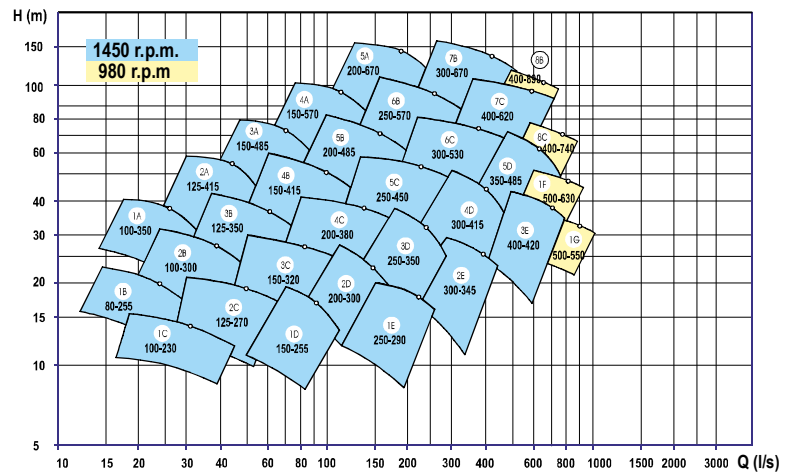
MOTORS

- foot-mounted electric motor drive
- diesel engine drive
- driving force transmitted using a flexible coupling
 - flexible coupling without a spacer
 - flexible coupling with a spacer

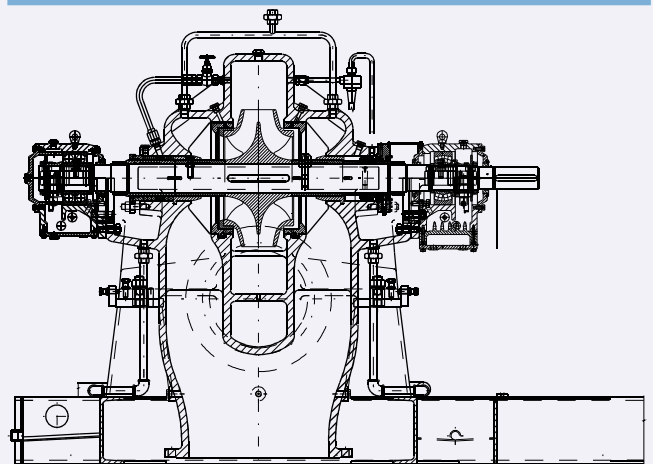


WORKING AREA

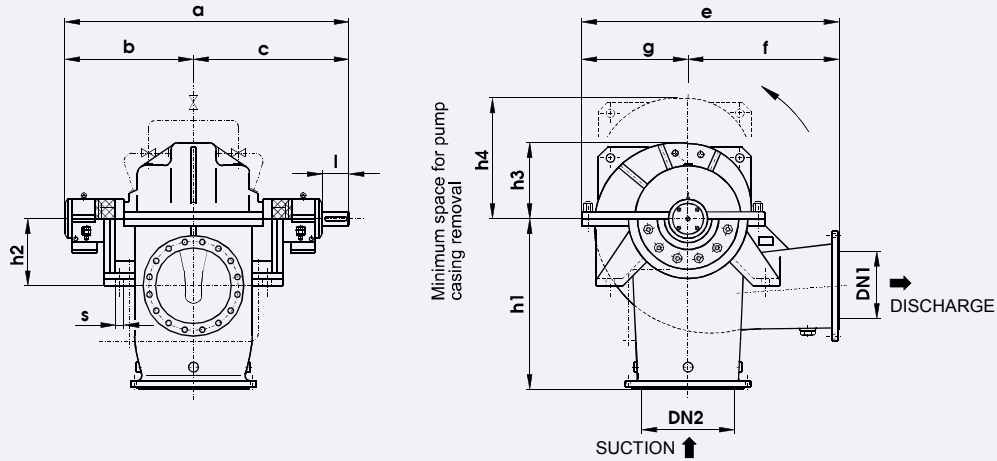
PUMP SIZE	SHAFT SPEED (r.p.m.)	FLOW Q (l/s)	DELIVERY HEAD H (m)	TEMPERATURE MAX. (°C)
from 80-QVS-255 to 600-QVS-615	from 580 to 1450	from 15 to 1150	from 10 to 150	60



CROSS-SECTION DRAWING



BASIC DIMENSIONS



Size	Name	Discharge Pipe				Pump Dimensions (mm)													kg
		DN1	DN2	PN1	PN2	a	b	c	e	f	g	h1	h2	h3	h4	s	l		
1A	100-QVD-350-25	100	150	10	10	960	430	530	610	300	310	380	215	280	550	23	85	300	
2A	125-QVS-415-30	125	200	10	10	1100	500	600	700	350	350	450	255	310	600	27	110	420	
3A	150-QVS-485-35	150	250	16	10	1160	530	630	850	450	400	520	300	340	600	27	110	620	
4A	150-QVS-570-40	150	250	16	10	1370	620	750	960	500	460	610	340	370	750	27	135	700	
5A	200-QVS-670-46	200	300	25	10	1670	750	920	1140	600	540	720	400	460	900	30	165	1000	
1B	80-QVS-255-23	80	125	10	10	820	360	460	580	350	230	350	145	210	450	18	85	220	
2B	100-QVS-300-27	100	150	10	10	940	420	520	680	400	280	400	170	250	500	23	85	330	
3B	125-QVS-350-31	125	200	10	10	1060	480	580	770	450	320	450	200	280	600	27	105	380	
4B	150-QVS-415-37	150	250	16	10	1095	500	595	885	500	385	500	275	300	600	27	105	500	
5B	200-QVS-485-44	200	300	16	10	1205	550	655	1045	600	445	550	280	345	700	27	110	770	
6B	250-QVS-570-50	250	350	16	10	1390	630	760	1205	700	505	600	600	325	400	27	135	980	
7B	300-QVS-670-58	300	500	25	10	1885	840	1045	1390	800	590	800	430	460	900	33	170	1530	
1C	100-QVS-230-30	100	150	10	10	900	400	500	540	300	240	300	160	190	400	18	85	210	
2C	125-QVS-270-30	125	200	10	10	960	435	525	650	350	300	350	190	215	450	23	85	310	
3C	150-QVS-320-42	150	250	10	10	1135	515	620	730	400	330	400	220	245	500	23	110	450	
4C	200-QVS-380-52	200	300	10	10	1205	565	670	890	500	390	500	265	290	600	27	110	660	
5C	250-QVS-450-58	250	350	10	10	1380	635	745	1045	600	445	600	315	340	650	27	110	930	
6C	300-QVS-530-72	300	400	25	10	1775	805	970	1215	700	515	700	370	430	800	33	160	1340	
7C	400-QVS-620-80	400	500	16	10	1955	880	1075	1390	800	590	800	430	455	850	39	170	1900	
1D	150-QVS-255-56	150	250	10	10	1000	450	550	720	400	320	500	215	240	500	23	105	360	
2D	200-QVS-300-65	200	300	10	10	1145	525	620	870	500	370	600	270	280	550	27	105	590	
3D	250-QVS-350-72	250	350	10	10	1250	570	680	1060	600	460	700	315	330	600	27	110	820	
4D	300-QVS-415-86	300	400	10	10	1450	660	790	1220	700	520	800	320	380	700	33	130	1230	
5D	350-QVS-485-102	350	500	16	10	1835	835	1000	1405	800	605	1000	430	455	800	33	160	1840	
1E	250-QVS-290-90	250	350	10	10	1210	550	660	990	550	440	550	260	245	500	27	105	770	
2E	300-QVS-345-108	300	500	10	10	1415	660	755	1150	650	500	650	350	355	650	33	100	1170	
3E	400-QVS-420-132	400	600	10	10	1855	845	1010	1405	800	605	800	420	440	750	33	178	1980	
8B	400-QVS-890-77	400	600	25	10	2200	950	1250	1880	1100	780	1250	500	600	1200	40	205	4200	
8C	400-QVS-740-99	400	600	16	10	2230	1000	1230	1680	950	730	1000	520	560	1100	40	205	3900	
1F	500-QVS-625-120	500	600	10	10	2200	985	1215	1820	1100	720	1200	500	540	1000	40	215	4200	
1G	500-QVS-550-148	500	600	10	10	2020	915	1105	1750	1050	700	1200	500	530	950	40	170	3700	
	600-QVS-615-180	600	700	10	10	2345	1090	1255	1505	700	805	1100	400	670	1200	33	210	4350	